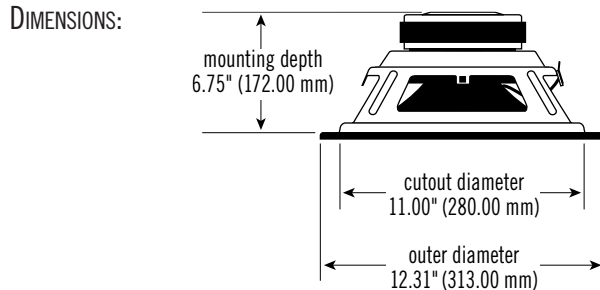


SPECIFICATIONS

DIAMETER:	12" (304.8 mm)
SENSITIVITY (2.83 V @ 1 m):	95 dB
POWER HANDLING:	400 W _{RMS} (1,600 W _{PEAK})
FREQUENCY RESPONSE:	20 ~ 450 Hz
NOMINAL IMPEDANCE:	2 OHMS (PER COIL)
VOICE-COIL DIAMETER:	3.0" (76.2 mm)

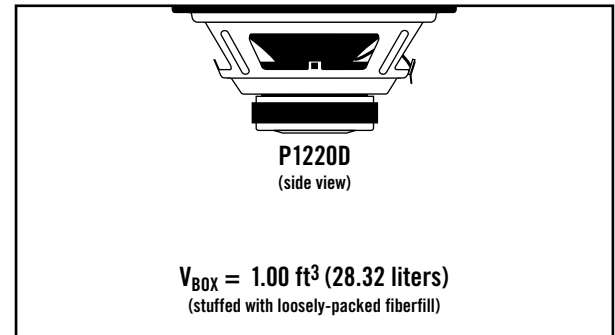


THIELE-SMALL PARAMETERS*

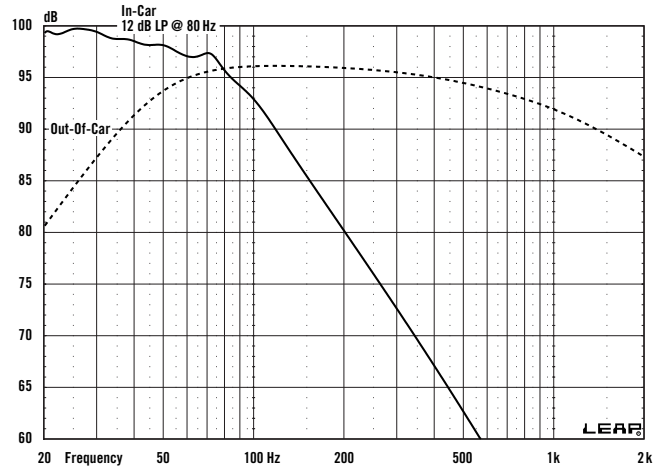
VOICE COIL DC RESISTANCE:	R_{EVC} (OHMS) 0.860
VOICE COIL INDUCTANCE @ 1 kHz:	L_{EVC} (MH) 0.330
DRIVER RADIATING AREA:	S_D (IN ²) 74.71
	S_D (CM ²) 482.00
MOTOR FORCE FACTOR:	BL (TM) 7.608
COMPLIANCE VOLUME:	V_{AS} (FT ³) 1.649
	V_{AS} (LITERS) 46.70
SUSPENSION COMPLIANCE:	C_{MS} (μM/N) 141.55
MOVING MASS, AIR LOAD:	M_{MS} (GRAMS) 197.03
MOVING MASS, DIAPHRAGM:	M_{MD} (GRAMS) 190.95
FREE-AIR RESONANCE:	F_S (Hz) 30.14
MECHANICAL Q:	Q_{MS} 6.38
ELECTRICAL Q:	Q_{ES} 0.56
TOTAL Q:	Q_{TS} 0.51
MAGNETIC-GAP HEIGHT:	H_{AG} (IN) 0.47
	H_{AG} (MM) 12.00
VOICE-COIL HEIGHT:	H_{VC} (IN) 1.72
	H_{VC} (MM) 43.80
MAXIMUM EXCURSION:	X_{MAX} (IN) 0.63
	X_{MAX} (MM) 15.90

*VOICE COILS CONNECTED IN PARALLEL

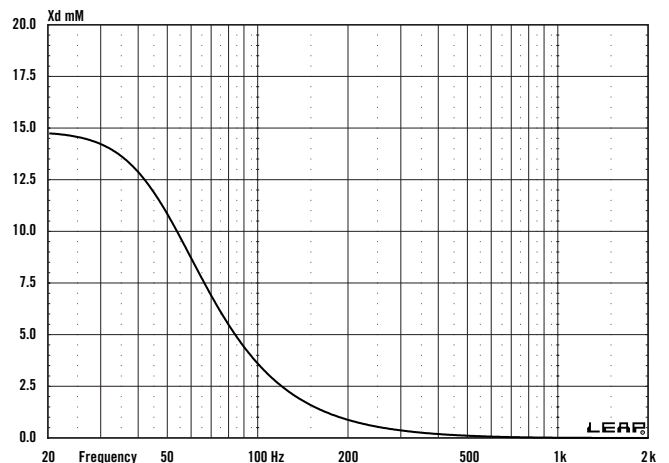
SEALED BOX VOLUME (INCLUDES DRIVER DISPLACEMENT)



SEALED FREQUENCY RESPONSE @ 2.83 V



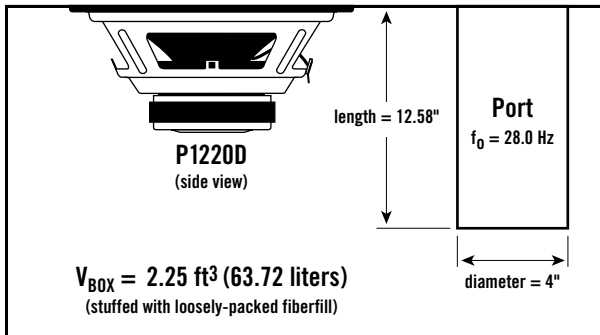
SEALED TRANSDUCER EXCURSION @ 400 W



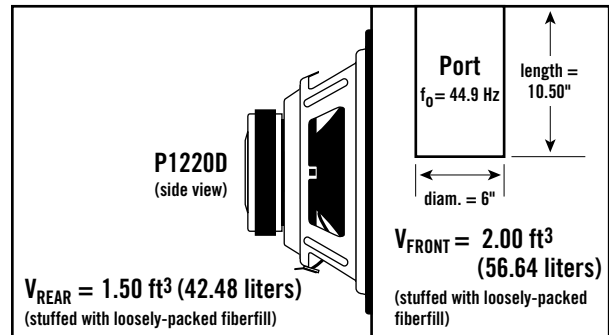


P1220D 12" Woofer – Technical Data

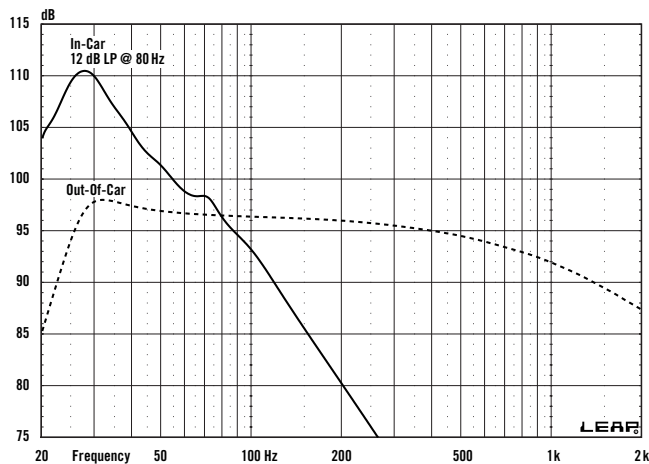
VENTED BOX VOLUME (INCLUDES DRIVER/PORT DISPLACEMENTS)



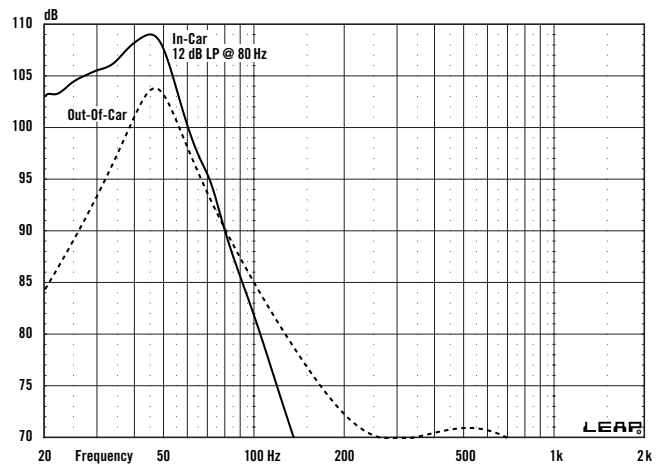
SEALED BANDPASS BOX VOLUME (INCLUDES DRIVER/PORT DISPLACEMENTS)



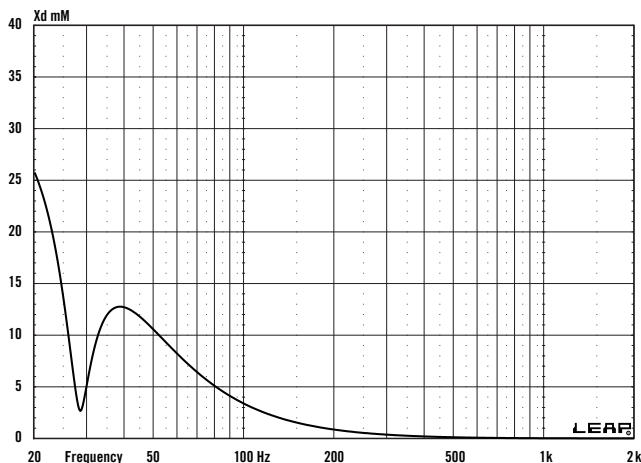
VENTED FREQUENCY RESPONSE @ 2.83 V



SEALED BANDPASS FREQUENCY RESPONSE @ 2.83 V



VENTED TRANSDUCER EXCURSION @ 400 W



SEALED BANDPASS TRANSDUCER EXCURSION @ 400 W

